

CATALOGUE



**STAINLESS STEEL FITTINGS,
FUNCTION FITTINGS
AND ADAPTORS**



WELCOME TO CAMOZZI AUTOMATION

Camozzi Automation is a global leader in the design and production of motion and fluid control components, systems, and technologies for Industrial automation, Transportation and Life science industries.



CONTACTS

Camozzi Automation S.p.A.
Società Unipersonale
Via Eritrea, 20/1
25126 Brescia
Italy
Tel. +39 030 37921
www.camozzi.com

Customer Service
Tel. +39 030 3792790
service@camozzi.com

Export Department
Tel. +39 030 3792253
sales@camozzi.com

General index

1 Push-in Fittings

Super-rapid fittings in 316L stainless steel Series X6000	6
---	---

2 Push-on Fittings

Rapid push-on fittings in 316L stainless steel Series X1000	11
---	----

3 Stainless Steel Adaptors

Adaptors in 316L stainless steel Series X2000	14
---	----

4 Function Fittings and Silencers

Flow regulators in 316L stainless steel Series XSCU, XSCO, XMFU and XMFO	19
Flow control valves in 316L stainless steel Series XRFU and XRFV	21
Quick exhaust valves in 316L stainless steel Series XVSC	23
Unidirectional valves in 316L stainless steel Series XVNR	24
Silencers in 316L stainless steel	25

5 Ball Valves

Mini ball valves in 316 stainless steel Series X29	26
--	----

www.mogral.com.br

STAINLESS STEEL FITTINGS, FUNCTION FITTINGS AND ADAPTORS SOLUTIONS SUITABLE FOR AGGRESSIVE FLUIDS



LIMITED RETENTION
ZONE FOR AN
EASIER CLEANING

FINE ADJUSTMENT SCREW

AISI 316L
STAINLESS STEEL

PNEUMATIC SYMBOL
ON FUNCTION FITTINGS

BSP AND NPT
THREADS

Camozzi has expanded its family of pneumatic and fluid connectors with a new range of 316L stainless steel fittings, function fittings and adaptors. Suitable for industrial applications demanding secure solutions that resist high operating temperatures, this range is also highly resistant to corrosion and contamination.

The complete portfolio includes push-in fittings, push-on fittings, adaptors, function fittings, silencers and ball valves in different versions and sizes to satisfy different application needs.

All these product options guarantee safe and reliable connection under different operating conditions.

Made entirely from stainless steel, this range is ideal for applications in the food & beverage, pharmaceutical, chemical, health and cosmetic industries where hygiene, reliability and chemical inertness are the key characteristics needed to avoid breakage or emergency maintenance resulting from corrosion damage.



Sectors and Applications:

- Food & beverage processing
- Chemical production
- Pharmaceutical industry
- Life Science
- Laser cutting systems
- Painting & coating systems
- Thermal management systems



BENEFITS



High resistance to aggressive fluids and environments



NSF certification for Food Processing applications

For further information consult NSF Product and Service Listings



Easy to connect and disconnect

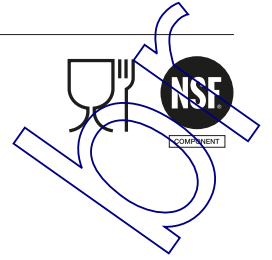


Chemical resistance to corrosion



Resistant to impact and mechanical shocks

Super-rapid fittings in 316L stainless steel Series X6000



SUPER-RAPID SERIES X6000 FITTINGS IN 316L STAINLESS STEEL

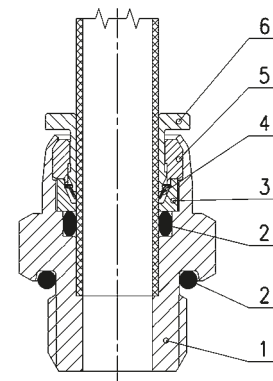


Series X6000 fittings use the push-in system for an easy and quick connection and disconnection, while maintaining high performance and quality. The stainless steel body guarantees a correct operation, even with aggressive fluids.

GENERAL DATA

Diameters	ø 4 - 6 - 8 - 10 - 12 mm	
Threads	GAS conical ISO 7 (BSPT) GAS cylindrical ISO 228 (BSPP)	
Temperature	-15°C ÷ +150°C NOTE: for a better use of the fitting we recommend to check the tubing specifications	
Tube to connect	PA6, PA11, PA12, Polyurethane (PU), Polyethylene (PE), PTFE, FEP	
Medium	Compressed air, food fluids, drinking water and all fluids compatible with the fitting component materials	
Materials	1 = Body 2 = Seals 3 = Supporting ring 4 = Clamping gripper 5 = Locking bushing 6 = Release bushing	Stainless steel 316L FKM (for food applications) Stainless steel 316L Stainless steel 301 Stainless steel 316L Stainless steel 316L
Nominal pressure	max 20 bar (check the technical data sheet of the tube you want to use)	

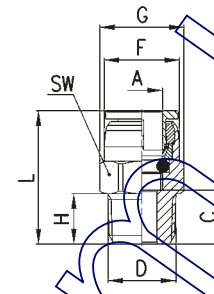
Fitting with connecting tube



Fittings Mod. X6510



BSPT Male Connector

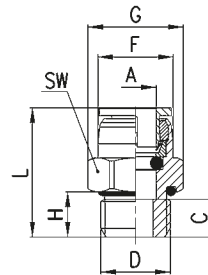


DIMENSIONS								
Mod.	A	D	C	F	G	H	L	SW
X6510 4-1/8	4	R1/8	8	9.7	-	8	20.5	10
X6510 4-1/4	4	R1/4	10	9.7	-	10	22.5	14
X6510 6-1/8	6	R1/8	8	11.6	13.4	8	21.5	12
X6510 6-1/4	6	R1/4	10	11.6	15.2	10	23.5	14
X6510 8-1/8	8	R1/8	8.5	14.7	17	8	24.6	15
X6510 8-1/4	8	R1/4	10	14.7	17	10	26.1	15
X6510 10-1/4	10	R1/4	11	17.4	20.8	10	28.2	19
X6510 10-3/8	10	R3/8	12	17.4	20.8	11	29.2	19
X6510 10-1/2	10	R1/2	14	17.4	24.6	13	31.2	22
X6510 12-1/4	12	R1/4	12	20	-	10	31	22
X6510 12-3/8	12	R3/8	12.5	20	-	11	31.5	22
X6510 12-1/2	12	R1/2	14.5	20	-	13	33.5	22

Fittings Mod. X6512



BSPP Male Connector

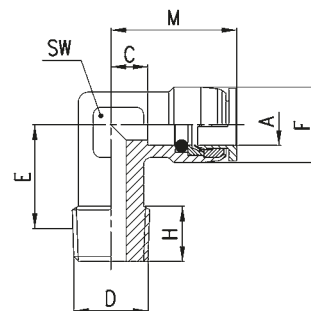


DIMENSIONS								
Mod.	A	D	C	F	G	H	L	SW
X6512 4-1/8	4	G1/8	5.7	9.7	-	5.7	18.2	14
X6512 4-1/4	4	G1/4	6.4	9.7	-	6	18.9	17
X6512 6-1/8	6	G1/8	6.7	11.6	15	5.7	20.2	14
X6512 6-1/4	6	G1/4	6.5	11.6	-	6	20	17
X6512 8-1/8	8	G1/8	8.7	14.7	-	5.7	24.8	15
X6512 8-1/4	8	G1/4	6	14.7	-	6	22.1	17
X6512 10-1/4	10	G1/4	8.5	17.4	-	6	25.7	19
X6512 10-3/8	10	G3/8	6.5	17.4	-	6.5	23.7	22
X6512 10-1/2	10	G1/2	11.5	17.4	30	9.5	28.7	27
X6512 12-1/4	12	G1/4	8.5	20	-	6	27.5	22
X6512 12-3/8	12	G3/8	9	20	-	6.5	28	22
X6512 12-1/2	12	G1/2	12.5	20	30	9.5	31.5	27

Fittings Mod. X6500



BSPT Male Elbow



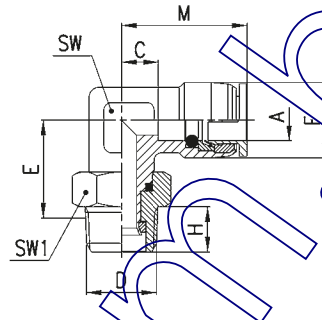
DIMENSIONS								
Mod.	A	D	C	E	F	H	M	SW
X6500 4-1/8	4	R1/8	7.8	12.5	11	8	20.3	12
X6500 6-1/8	6	R1/8	8.8	12.5	11.9	8	22.3	12
X6500 6-1/4	6	R1/4	8.8	12	11.9	9	22.3	12
X6500 8-1/8	8	R1/8	8.4	15	15	8	24.5	12
X6500 8-1/4	8	R1/4	8.4	14	15	10	24.5	12
X6500 10-1/4	10	R1/4	8.7	15	17.4	10	25.9	14
X6500 10-3/8	10	R3/8	8.7	15	17.4	10.8	25.9	14
X6500 12-1/4	12	R1/4	9.5	16	20	10	28.5	17
X6500 12-3/8	12	R3/8	9.5	16	20	12	28.5	17

Fittings Mod. X6520

BSPT Swivel Male Elbow



DIMENSIONS										
Mod.	A	D	C	E	F	H	M	SW	SW1	
X6520 4-1/8	4	R1/8	4.3	15.3	10	8	16.8	12	12	
X6520 4-1/4	4	R1/4	4.3	15.8	10	10	16.8	12	15	
X6520 6-1/8	6	R1/8	8.8	15.3	11.9	8	22.3	12	12	
X6520 6-1/4	6	R1/4	5.8	19.8	13	10	19.3	14	15	
X6520 8-1/8	8	R1/8	9.4	19.5	15	8	25.5	14	12	
X6520 8-1/4	8	R1/4	9.4	19.8	15	10	25.5	14	15	
X6520 10-1/4	10	R1/4	10.7	20.6	17.4	10	27.9	17	15	
X6520 10-3/8	10	R3/8	10.7	20.9	17.4	11	27.9	17	19	
X6520 12-1/4	12	R1/4	9.5	21.1	20	10	28.5	17	15	
X6520 12-3/8	12	R3/8	9.5	20.9	20	11	28.5	17	19	
X6520 12-1/2	12	R1/2	9.5	19.4	20	13	28.5	17	22	

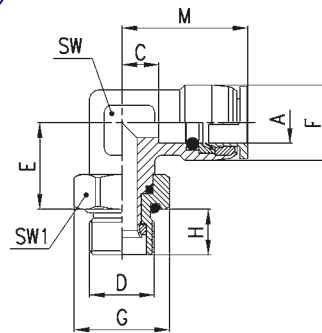


Fittings Mod. X6522

BSPB Swivel Male Elbow



DIMENSIONS										
Mod.	A	D	C	E	F	G	H	M	SW	SW1
X6522 4-1/8	4	G1/8	4.3	15.3	10	15	6.5	16.8	12	14
X6522 4-1/4	4	G1/4	4.3	15.7	10	18.5	9	16.8	12	17
X6522 6-1/8	6	G1/8	8.8	15.3	11.9	15	6.5	22.3	12	14
X6522 6-1/4	6	G1/4	5.8	18.7	13	18.5	9	19.3	14	17
X6522 8-1/8	8	G1/8	9.4	19.5	15	15	6.5	25.5	14	14
X6522 8-1/4	8	G1/4	9.4	18.7	15	18.5	9	25.5	14	17
X6522 10-1/4	10	G1/4	10.7	19.5	17.4	18.5	9	27.9	17	17
X6522 10-3/8	10	G3/8	10.7	20.4	17.4	24	9	27.9	17	22
X6522 12-1/4	12	G1/4	9.5	20	20	18.5	9	28.5	17	17
X6522 12-3/8	12	G3/8	9.5	20.4	20	24	9	28.5	17	22
X6522 12-1/2	12	G1/2	9.5	20.4	20	30	9.5	28.5	17	27

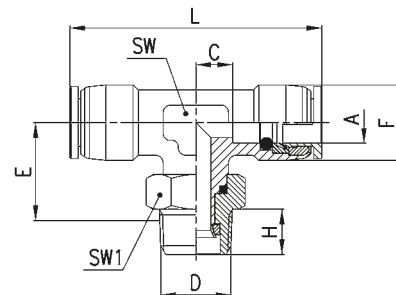


Fittings Mod. X6430

BSPT Swivel Male Tee

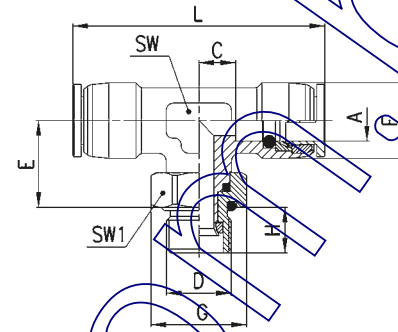


DIMENSIONS										
Mod.	A	D	C	E	F	H	L	SW	SW1	
X6430 4-1/8	4	R1/8	4.3	15.3	10	8	33.6	12	12	
X6430 4-1/4	4	R1/4	4.3	15.8	10	10	33.6	12	15	
X6430 6-1/8	6	R1/8	8.8	16.1	11.9	8	44.6	12	12	
X6430 6-1/4	6	R1/4	5.8	18.6	13	10	38.6	14	15	
X6430 8-1/8	8	R1/8	8.3	17.3	15	8	48.8	14	12	
X6430 8-1/4	8	R1/4	8.3	18.5	15	10	48.8	14	15	
X6430 10-1/4	10	R1/4	10.7	21.1	17.4	10	55.8	17	15	
X6430 10-3/8	10	R3/8	10.7	20.9	17.4	11	55.8	17	19	
X6430 12-1/4	12	R1/4	9.5	21.1	20	10	57	17	15	
X6430 12-3/8	12	R3/8	9.5	20.9	20	11	57	17	19	
X6430 12-1/2	12	R1/2	15.6	19.4	20	13	57	17	22	



Fittings Mod. X6432

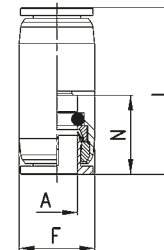
BSPP Swivel Centre Tee



DIMENSIONS										
Mod.	A	D	C	E	F	G	H	L	SW	SW1
X6432 4-1/8	4	G1/8	4.3	15.3	10	15	6.5	33.6	12	14
X6432 4-1/4	4	G1/4	4.3	15.7	10	18.5	9	33.6	12	17
X6432 6-1/8	6	G1/8	8.8	16.1	11.9	15	6.5	44.6	12	14
X6432 6-1/4	6	G1/4	5.8	17.5	13	18.5	9	38.6	14	17
X6432 8-1/8	8	G1/8	8.3	17.3	15	15	6.5	48.8	14	14
X6432 8-1/4	8	G1/4	8.3	17.4	15	18.5	9	48.8	14	17
X6432 10-1/4	10	G1/4	10.7	20	17.4	18.5	9	55.8	17	17
X6432 10-3/8	10	G3/8	10.7	20.4	17.4	24	9	55.8	17	22
X6432 12-1/4	12	G1/4	9.5	20	20	18.5	9	57	17	17
X6432 12-3/8	12	G3/8	9.5	20.4	20	24	9	57	17	22
X6432 12-1/2	12	G1/2	9.5	20.4	20	30	9.5	57	17	27

Fittings Mod. X6580

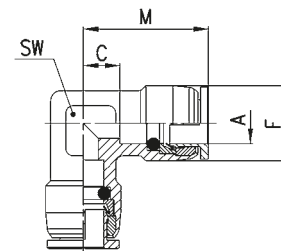
Union Connector



DIMENSIONS				
Mod.	A	F	L	N
X6580 4	4	10	26.5	12.5
X6580 6	6	12	28.4	13.5
X6580 8	8	15	33.7	16.1
X6580 10	10	18	36.4	17.2
X6580 12	12	20	41	19

Fittings Mod. X6550

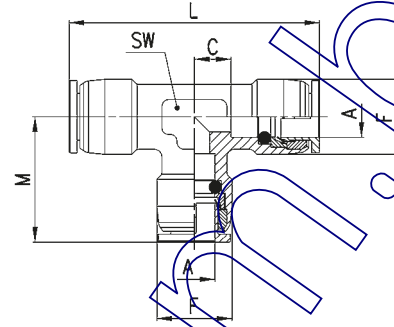
Elbow connector



DIMENSIONS					
Mod.	A	C	F	M	SW
X6550 4	4	7.8	11	20.3	12
X6550 6	6	8.8	11.9	22.3	12
X6550 8	8	8.4	15	24.5	12
X6550 10	10	8.7	17.4	25.9	14
X6550 12	12	9.5	20	28.5	17

Fittings Mod. X6540

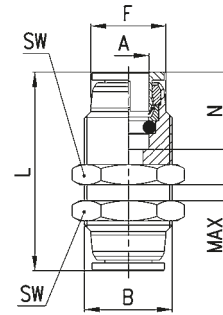
Tee Connector



DIMENSIONS						
Mod.	A	C	F	L	M	SW
X6540 4	4	8.8	11	42.6	21.3	12
X6540 6	6	8.8	11.9	44.6	22.3	12
X6540 8	8	8.4	15	49	24.5	12
X6540 10	10	8.7	17.4	51.8	25.9	14
X6540 12	12	9.5	20	57	28.5	17

Fittings Mod. X6590

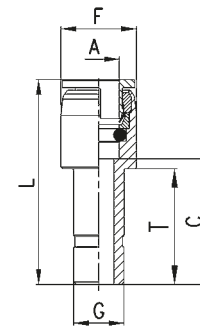
Bulkhead Union Connector



DIMENSIONS							
Mod.	A	B	F	L	N	MAX	SW
X6590 4	4	M11X1	9.7	29	12.5	6	14
X6590 6	6	M13X1	11.6	34	13.5	9	17
X6590 8	8	M16X1	14.7	37.2	16.1	9	19
X6590 10	10	M19X1	17.4	43.4	17.2	11	22
X6590 12	12	M22X1	20	50	19	15	27

Fittings Mod. X6800

Reducer Tube/Stem



DIMENSIONS						
Mod.	A	C	F	G	L	T
X6800 4-6	4	16.8	10	6	29.3	15.3
X6800 4-8	4	19.8	10	8	32.3	17.8
X6800 6-8	6	19.8	12	8	33.5	17.8
X6800 6-10	6	22.6	12	10	36	21.6
X6800 6-12	6	23	12	12	36.5	-
X6800 8-10	8	22.5	15	10	38.6	20
X6800 8-12	8	24.5	15	12	40.6	23
X6800 10-12	10	26	18	12	43.2	23

Rapid push-on fittings in 316L stainless steel

Series X1000

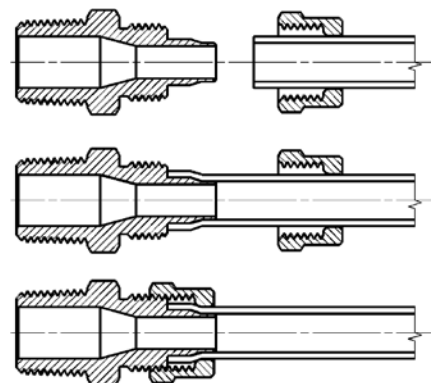


Series X1000 rapid push-on fittings can be easily installed. The push-on locking nuts can be tightened both manually and with a spanner even in case of stiffer tubes like PA or Hytrel Polyester. The shape of the special guiding cone ensures that the tube cannot be accidentally cut.

GENERAL DATA

Diameters	5/4 - 8/6 - 10/8 - 12/10
Threads	GAS conical ISO 7 (BSPT)
Temperature	-40°C - +180°C NOTE: for a better use of the fitting we recommend to check the tubing specifications
Tube to connect	Polyamide (PA), Polyurethane (PU), Polyethylene (PE), PTFE, FEP, Hytrel Polyester
Medium	all fluids compatible with the fitting component materials
Materials	Body: stainless steel 316L Nut: stainless steel 316L
Working pressure	the nominal pressure of the fittings is always higher than the pressure of the tube

Fitting with connecting tube



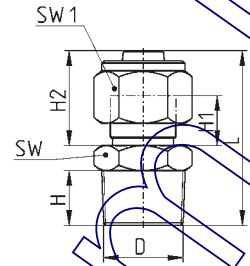
Fittings Mod. X1510



BSPT Male Connector



DIMENSIONS								
Mod.	Tube	D	H	H1	H2	L	SW	SW1
X1510 6/4-1/8	6/4	R1/8	8	8	15	27	12	12
X1510 6/4-1/4	6/4	R1/4	10	8	15	31	14	12
X1510 8/6-1/8	8/6	R1/8	8	8	16	28	14	14
X1510 8/6-1/4	8/6	R1/4	10	8	16	32	14	14
X1510 8/6-3/8	8/6	R3/8	10	8	16	32	17	14
X1510 10/8-1/4	10/8	R1/4	10,5	9	17	33	14	17
X1510 10/8-3/8	10/8	R3/8	10	9	17,5	33	17	17
X1510 10/8-1/2	10/8	R1/2	13	9	17	37	22	17
X1510 12/10-1/4	12/10	R1/4	11	9	18	34	17	19
X1510 12/10-3/8	12/10	R3/8	10	9	18	34	17	19
X1510 12/10-1/2	12/10	R1/2	13	9	18	38	22	19



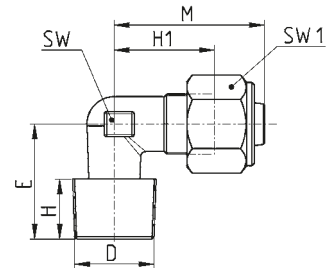
Fittings Mod. X1500



BSPT Male Elbow



DIMENSIONS								
Mod.	Tube	D	E	H	H1	M	SW	SW1
X1500 6/4-1/8	6/4	R1/8	15,5	7,5	15	21	8	12
X1500 6/4-1/4	6/4	R1/4	19,5	7,5	15	21	8	12
X1500 8/6-1/8	8/6	R1/8	17	7,5	16	22,5	10	14
X1500 8/6-1/4	8/6	R1/4	21	11	16,5	22,5	10	14
X1500 8/6-3/8	8/6	R3/8	24,5	12	19,5	28	14	14
X1500 10/8-1/4	10/8	R1/4	21,5	10	17,5	25,5	12	17
X1500 10/8-3/8	10/8	R3/8	23	12	18	28	14	17
X1500 10/8-1/2	10/8	R1/2	28	15	21	30	17	17
X1500 12/10-3/8	12/10	R3/8	22	12	18	28	14	19
X1500 12/10-1/2	12/10	R1/2	26	15	21	30	17	19



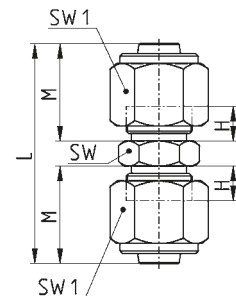
Fittings Mod. X1580



Union Connector



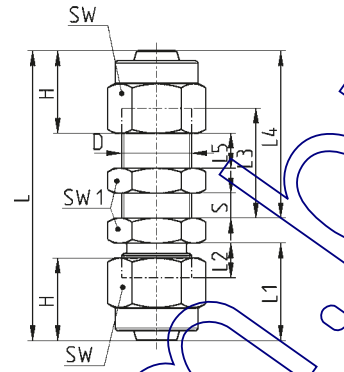
DIMENSIONS						
Mod.	Tube	H	L	M	SW	SW1
X1580 6/4	6/4	8	37	16	12	12
X1580 8/6	8/6	8	37	15,5	12	14
X1580 10/8	10/8	9	40	18	14	17
X1580 12/10	12/10	9	43	19	17	19



Fittings Mod. X1590



Bulkhead Union Connector

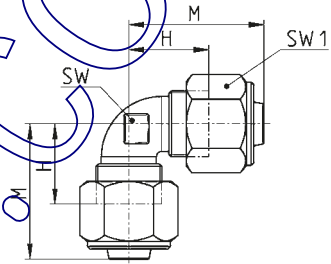


DIMENSIONS												
Mod.	Tube	D	H	L	L1	L2	L3	L4	L5	S (max)	SW	SW1
X1590 6/4	6/4	M10x1	11,4	47	15	8	20	27	5	13	12	14
X1590 8/6	8/6	M12x1	12,7	50	16	8	21	29	5	13	14	17
X1590 10/8	10/8	M14x1	14,5	54	17,5	9	23	31,5	5	14	17	17
X1590 12/10	12/10	M16x1	14,5	57	18	9	25	34	5	14	19	19

Fittings Mod. X1550



Elbow Connector

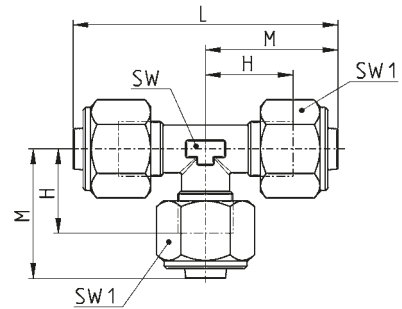


DIMENSIONS					
Mod.	Tube	H	M	SW	SW1
X1550 6/4	6/4	15	21	8	12
X1550 8/6	8/6	16,5	22,5	10	14
X1550 10/8	10/8	18	25,5	12	17
X1550 12/10	12/10	19	29	14	19

Fittings Mod. X1540



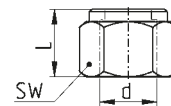
Tee Connector



DIMENSIONS						
Mod.	Tube	H	L	M	SW	SW1
X1540 6/4	6/4	14,5	42	21	8	12
X1540 8/6	8/6	16,5	45	22,5	10	14
X1540 10/8	10/8	18	51	25	12	17
X1540 12/10	12/10	19,6	58	28,8	14	19

Accessories Mod. X1703

Blocking nut



DIMENSIONS				
Mod.	Tube	d	L	SW
X1703 6/4	6/4	10x1	11,4	12
X1703 8/6	8/6	12x1	11,7	14
X1703 10/8	10/8	14x1	13,5	17
X1703 12/10	12/10	16x1	14,5	19

Adaptors in 316L stainless steel Series X2000



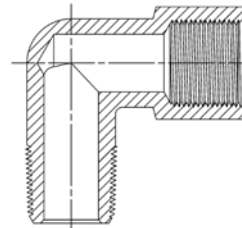
Series X2000 adaptors in AISI 316L stainless steel are available in several configurations to meet the customers' needs in terms of reliability and adaptability.

They can be used in pneumatic, oil-pressure (at low pressure) and hydropneumatic systems and can be employed in many sectors including the food, chemical and medical industries.

GENERAL DATA

Threads	GAS conical ISO7 (BSPT) Gas cylindrical ISO 228 (BSPP) NPT
Temperature	-50°C ÷ +250°C -15°C ÷ +180°C (X2612 - X2612 EH)
Medium	all fluids compatible with the fitting component materials
Materials	316L stainless steel
Working pressure	-0.9 / 120 bar

Adaptors

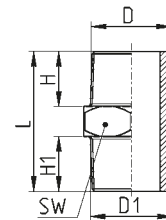


Fittings Mod. X2500

BSPT, NPT and BSPP Nipple

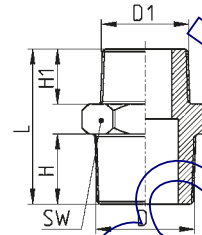


DIMENSIONS							
Mod.	D	D1	H	H1	L	SW	
X2500 1/8	R1/8	R1/8	8	8	20	12	
X2500 1/4	R1/4	R1/4	11	11	27	14	
X2500 3/8	R3/8	R3/8	11	11	28	17	
X2500 1/2	R1/2	R1/2	14	14	33	22	
X2500 3/4	R3/4	R3/4	16	16	40	27	
X2500 1/8PT	1/8NPT	1/8NPT	9	9	23	11	
X2500 1/4PT	1/4NPT	1/4NPT	12	12	29	14	
X2500 3/8PT	3/8NPT	3/8NPT	13	13	33	19	
X2500 1/2PT	1/2NPT	1/2NPT	17	17	42	22	
X2500 1/8-1/8PT	G1/8	1/8NPT	8	9	21	12	
X2500 1/4-1/4PT	G1/4	1/4NPT	11	12	28	14	
X2500 3/8-3/8PT	G3/8	3/8NPT	11	13	30	19	
X2500 1/2-1/2PT	G1/2	1/2NPT	14	17	37	22	
X2500 3/4-3/4PT	G3/4	3/4NPT	16	16	40	27	



Fittings Mod. X2510

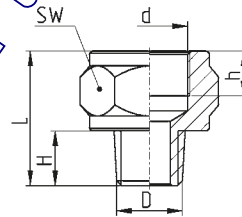
BSPT and NPT Reducing Nipple



DIMENSIONS						
Mod.	D	D1	H	H1	L	SW
X2510 1/8-1/4	R1/8	R1/4	8	11	23	14
X2510 1/8-3/8	R1/8	R3/8	8	11	24	17
X2510 1/4-3/8	R1/4	R3/8	11	11	28	17
X2510 1/4-1/2	R1/4	R1/2	11	14	30	22
X2510 3/8-1/2	R3/8	R1/2	11	14	31	22
X2510 1/2-3/4	R1/2	R3/4	14	16	38	27
X2510 1/8PT-1/4PT	1/8NPT	1/4NPT	9	13	28	14
X2510 1/8PT-3/8PT	1/8NPT	3/8NPT	9	13	29	19
X2510 1/4PT-3/8PT	1/4NPT	3/8NPT	13	13	33	19
X2510 1/4PT-1/2PT	1/4NPT	1/2NPT	13	17	38	22
X2510 3/8PT-1/2PT	3/8NPT	1/2NPT	13	17	38	22

Fittings Mod. X2520

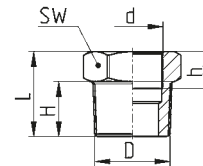
Enlarging Extension



DIMENSIONS						
Mod.	D	d	H	h (min)	L	SW
X2520 1/8-1/4	R1/8	G1/4	9	12	24	19
X2520 1/8-3/8	R1/8	G3/8	9	12	25	24
X2520 1/4-3/8	R1/4	G3/8	11	12	27	24
X2520 1/4-1/2	R1/4	G1/2	11	14	29	27
X2520 3/8-1/2	R3/8	G1/2	12	14	30	27
X2520 1/2-3/4	R1/2	G3/4	13	12	32	32

Fittings Mod. X2530

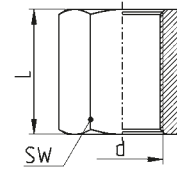
Reducer/Converter



DIMENSIONS						
Mod.	D	d	H	h (min)	L	SW
X2530 1/8-M5	R1/8	M5x0,8	7	7	12	12
X2530 1/4-1/8	R1/4	G1/8	10	7	16	14
X2530 3/8-1/8	R3/8	G1/8	10,5	8	17	17
X2530 3/8-1/4	R3/8	G1/4	11	10	17	17
X2530 1/2-1/4	R1/2	G1/4	14,5	10	21	22
X2530 1/2-3/8	R1/2	G3/8	14	11	19	22
X2530 3/4-1/2	R3/4	G1/2	17	14	23	27
X2530 1/4PT-1/8PT	1/4NPT	1/8NPT	11	7	16	14
X2530 3/8PT-1/8PT	3/8NPT	1/8NPT	11	7	17	19
X2530 3/8PT-1/4PT	3/8NPT	1/4NPT	11	12	17	19
X2530 1/2PT-1/4PT	1/2NPT	1/4NPT	14	12	20	22
X2530 1/2PT-3/8PT	1/2NPT	3/8NPT	14	13	20	22
X2530 1/8PT-1/8	R1/8	1/8NPT	11	9	21	14
X2530 1/4PT-1/4	R1/4	1/4NPT	15	12,5	28,5	17
X2530 3/8PT-3/8	R3/8	3/8NPT	16	12	29,5	22
X2530 1/2PT-1/2	R1/2	1/2NPT	22,5	17	39,5	27
X2530 1/8-1/8PT	1/8NPT	G1/8	11	7,5	21,5	14
X2530 1/4-1/4PT	1/4NPT	G1/4	14,5	11	30	17
X2530 3/8-3/8PT	3/8NPT	G3/8	16,5	11,5	31	22
X2530 1/2-1/2PT	1/2NPT	G1/2	21	15	39,5	27

Fittings Mod. X2543

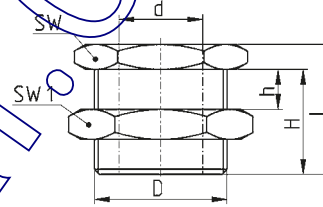
BSPP and NPT Sleeve



DIMENSIONS			
Mod.	d	L	SW
X2543 1/8	G1/8	17	14
X2543 1/4	G1/4	24	17
X2543 3/8	G3/8	25	22
X2543 1/2	G1/2	32	27
X2543 3/4	G3/4	35	32
X2543 1/8PT-1/8PT	1/8NPT	19	14
X2543 1/4PT-1/4PT	1/4NPT	28	17
X2543 3/8PT-3/8PT	3/8NPT	28	22
X2543 1/2PT-1/2PT	1/2NPT	35	27

Fittings Mod. X2593

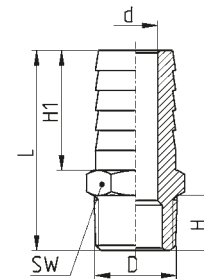
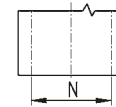
BSPP and NPT Bulkhead connector



DIMENSIONS							
Mod.	d	D	h (max)	H	L	SW	SW1
X2593 1/8	G1/8	M16x1,5	9	14	18	19	22
X2593 1/4	G1/4	M20x1,5	15	21	25	24	27
X2593 3/8	G3/8	M26x1,5	14	21	26	30	32
X2593 1/2	G1/2	M28x1,5	20	27	33	32	36
X2593 3/4	G3/4	M34x1,5	22,5	30	36	41	41
X2593 1	G1	M42x1,5	24,5	34	42	46	50
X2593 1/8PT-1/8PT	1/8NPT	M16x1,5	9	14	18	19	22
X2593 1/4PT-1/4PT	1/4NPT	M20x1,5	15	23	28	24	27
X2593 3/8PT-3/8PT	3/8NPT	M26x1,5	14	21	26	30	32
X2593 1/2PT-1/2PT	1/2NPT	M28x1,5	20	27	33	32	36

Fittings Mod. X2600

BSPT Male Hose Adaptor

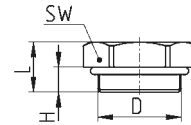


DIMENSIONS							
Mod.	D	N	d	H	H1	L	SW
X2600 6-1/8	R1/8	3,3	7,5	18,5	6	32	11
X2600 7-1/8	R1/8	4,6	7,5	19	7	32	11
X2600 7-1/4	R1/4	4,6	11	20	7	36	14
X2600 8-1/4	R1/4	6	11	19,5	8	36	14
X2600 9-1/4	R1/4	6,3	11	19	9	35	14
X2600 9-3/8	R3/8	6,3	11,5	19	9	36	17
X2600 10-1/4	R1/4	7,4	11	20	10	36	14
X2600 10-3/8	R3/8	7,4	11,5	19	10	36	17
X2600 10-1/2	R1/2	7,4	13,5	19,5	10	39	22
X2600 12-1/4	R1/4	8	11	20	12	36	14
X2600 12-3/8	R3/8	9,5	11	19,5	12	36	17
X2600 12-1/2	R1/2	9,5	14	19,5	12	39	22
X2600 14-3/8	R3/8	10,5	11	19	14	36	17
X2600 14-1/2	R1/2	10,5	14	19,5	14	39	22
X2600 16-3/8	R3/8	12	11	22,5	16	40	17
X2600 16-1/2	R1/2	12	13,5	19,5	16	39	22
X2600 18-1/2	R1/2	14	13,5	19,5	18	39	22
X2600 18-3/4	R3/4	14	15,5	19,5	18	43	27
X2600 20-1/2	R1/2	15	14	19	20	39	22
X2600 20-3/4	R3/4	15	16	20	20	43	27
X2600 25-3/4	R3/4	19,9	16	20	25	43	27

Fittings Mod. X2612 EH



BSPP Male Plug
External hexagon, o-ring in FKM

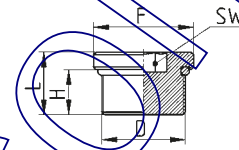


DIMENSIONS				
Mod.	D	H	L	SW
X2612 1/8-EH	G1/8	6	10	13
X2612 1/4-EH	G1/4	5,5	10	16
X2612 3/8-EH	G3/8	5,5	10,5	20
X2612 1/2-EH	G1/2	7	12	24

Fittings Mod. X2612



BSPP Male Plug
Internal hexagon, o-ring in FKM

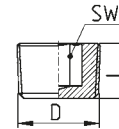


DIMENSIONS					
Mod.	D	F	H	L	SW
X2612 1/8	G1/8	14	6	8,5	5
X2612 1/4	G1/4	18	8	11,1	6
X2612 3/8	G3/8	20	9	12,5	8
X2612 1/2	G1/2	25	10	13,5	10

Fittings Mod. X2615



BSPT Headless Male Plug

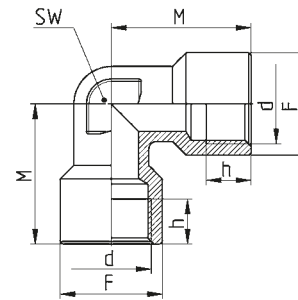


DIMENSIONS			
Mod.	D	L	SW
X2615 1/8	R1/8	7	5
X2615 1/4	R1/4	10	6
X2615 3/8	R3/8	11	8
X2615 1/2	R1/2	13	10

Fittings Mod. X2013



BSPP Female Elbow

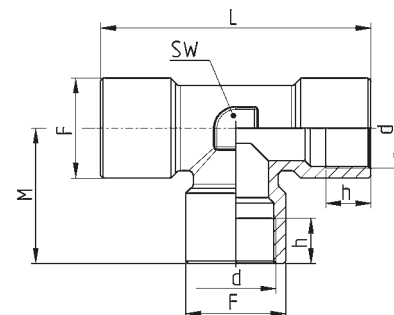


DIMENSIONS					
Mod.	d	h (min)	M	F	SW
X2013 1/8	G1/8	8	23	13	10
X2013 1/4	G1/4	10	25,5	16,5	12
X2013 3/8	G3/8	12	28	20	15
X2013 1/2	G1/2	12	32	25	20

Fittings Mod. X2003



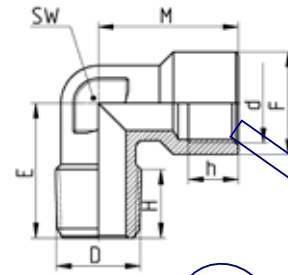
BSPP Female Tee



DIMENSIONS						
Mod.	d	F	h (min)	L	M	SW
X2003 1/8	G1/8	13	7	37	18,5	12
X2003 1/4	G1/4	16	11	48	24	12
X2003 3/8	G3/8	20	12	54	27	15
X2003 1/2	G1/2	25	12	64	32	20

Fittings Mod. X2020

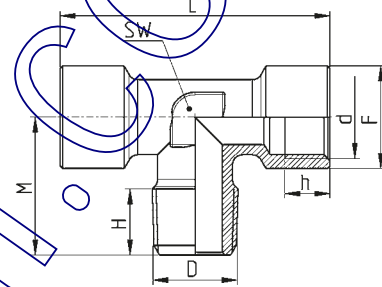
BSPT Female Male Elbow



DIMENSIONS								
Mod.	d	D	h (min)	H	M	E	F	SW
X2020 1/8-1/8	G1/8	R1/8	8	8	21	18	13	10
X2020 1/4-1/4	G1/4	R1/4	9	11	25.5	24	16.5	12
X2020 3/8-3/8	G3/8	R3/8	12	10	28	27	20.5	15
X2020 1/2-1/2	G1/2	R1/2	12	14.3	32	29.5	25.5	20

Fittings Mod. X2060

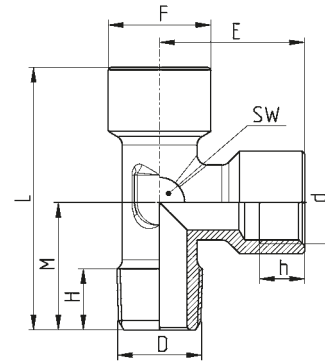
BSPT Male Branch Tee



DIMENSIONS								
Mod.	d	D	F	H	h (min)	L	M	SW
X2060 1/8-1/8	G1/8	R1/8	13	7.5	7	37	18	12
X2060 1/4-1/4	G1/4	R1/4	16	9	9	49	23	12
X2060 3/8-3/8	G3/8	R3/8	20	12	12	54	27	15
X2060 1/2-1/2	G1/2	R1/2	25	12	12	64	31.5	20

Fittings Mod. X2070

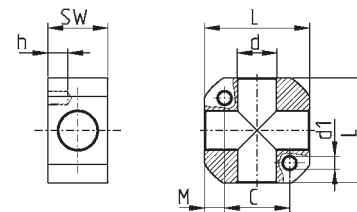
BSPT Male Run Tee



DIMENSIONS									
Mod.	d	D	E	F	h (min)	H	L	M	SW
X2070 1/8-1/8	G1/8	R1/8	18,5	13	7	7,5	36,5	18	12
X2070 1/4-1/4	G1/4	R1/4	24,5	16,5	9	11	47,5	23	12
X2070 3/8-3/8	G3/8	R3/8	27	20	12	12	53	26	15
X2070 1/2-1/2	G1/2	R1/2	32	25	15	14	62	30	20

Accessories Mod. X3033

4 Ways Distribution Block with fixing holes



DIMENSIONS							
Mod.	d	d1	C	h	L	M	SW
X3033 1/8	G1/8	M5x0,8	18	7,5	31	6,5	15
X3033 1/4	G1/4	M6x1	22	9	35	6,5	18
X3033 3/8	G3/8	M6x1	26	8	42	8	24
X3033 1/2	G1/2	M8x1,5	33	12	52	9,5	26

Flow regulators in 316L stainless steel Series XSCU, XSCO, XMFU and XMFO



These unidirectional and bidirectional flow regulators have a compact design that allows mounting directly on valves or cylinders in environments with aggressive fluids or gases.

GENERAL DATA

Construction	needle type
Valve group	unidirectional and bidirectional controller
Materials	body and regulation screw: 316L stainless steel FKM seals
Mounting	by male/female thread
Threads	G1/8, G1/4, G3/8, G1/2
Installation	in any position
Operating temperature	-10°C ÷ +120°C
Operating pressure	1 ÷ 10 bar (unidirectional regulator) 0 ÷ 10 bar (bidirectional regulator Series XMFO) 0 ÷ 8 bar (bidirectional regulator Series XSCO)
Nominal pressure	6 bar
Nominal diameter	XSCU, XSCO: G1/8 = 4,5 - G1/4 = 6 - G3/8 = 8 - G1/2 = 12 XMFU, XMFO: G1/8 = 7,2 - G1/4 = 7,2 - G3/8 = 12 - G1/2 = 12
Medium	filtered air without lubrication with the unidirectional and bidirectional flow regulators all fluids compatible with the materials of the bidirectional flow regulators

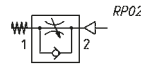
CODING EXAMPLE

X	M	CU	M5
X = INOX			
M ACTUATION: M = Manual S = Screwdriver			
CU ASSEMBLY: CU = on cylinders unidirectional CO = bidirectional FU = unidirectional FO = bidirectional			
M5 PORTS: 1/8 = G1/8 1/4 = G1/4 3/8 = G3/8 1/2 = G1/2			

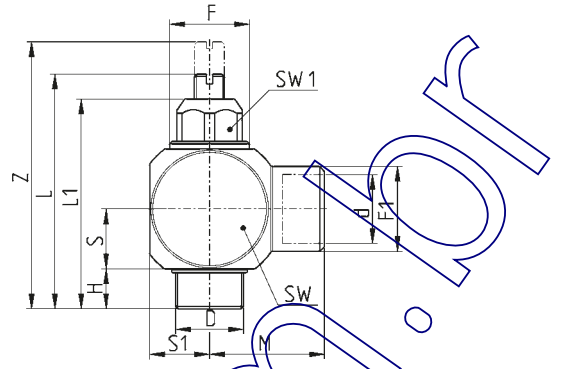
To ensure the right choice of unidirectional flow controller, proceed as follows: calculate the quantity of air in NI/min (see cylinder Table); determine the stroke time of the cylinder; refer to graph to see which controller is the right type.

Unidirectional flow regulators Series XSCU

Screwdriver regulation



DIMENSIONS													
Mod.	D	d	F	F1	H	L	L1	M	S	S1	Z	SW	SW1
XSCU 1/8	G1/8	G1/8	16	15	6	38	36	17	8.5	8	43	16	13
XSCU 1/4	G1/4	G1/4	16	17	8	45	42	22.5	9.5	9.5	48	19	13
XSCU 3/8	G3/8	G3/8	22	22	13	67	63	25	11	13	72	26	20
XSCU 1/2	G1/2	G1/2	22	27	13	73	68	30	12	14	77	30	20

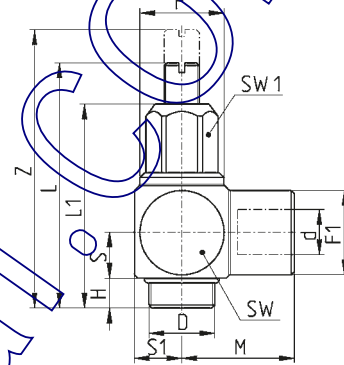


Bidirectional flow regulators Series XSCO

Screwdriver regulation

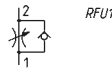


DIMENSIONS													
Mod.	D	d	F	F1	H	L	L1	M	S	S1	Z	SW	SW1
XSCO 1/8	G1/8	G1/8	15	15	6	38	36	17	7,5	8	43	16	13
XSCO 1/4	G1/4	G1/4	17	17	8	45	42	23	9	9	48	19	13
XSCO 3/8	G3/8	G3/8	24	22	13	63	63	25	11	13	72	26	20
XSCO 1/2	G1/2	G1/2	27	27	13	68	68	30	14	14	77	30	20

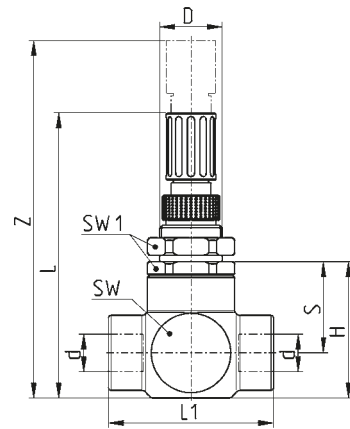


Unidirectional flow regulators Series XMFU

Manual regulation

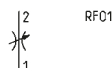


DIMENSIONS									
Mod.	d	D	H	L	L1	S	Z	SW	SW1
XMFU 1/8	M15x0,75	G1/8	35	77	43	22	82	22	19
XMFU 1/4	M15x0,75	G1/4	35	77	43	22	82	22	19
XMFU 3/8	M25x1,5	G3/8	54	111	65	36	125	36	32
XMFU 1/2	M25x1,5	G1/2	54	111	66	36	125	36	32

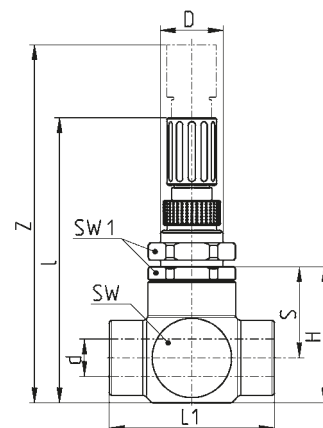


Bidirectional flow regulators Series XMFO

Manual regulation



DIMENSIONS									
Mod.	d	D	H	L	L1	S	Z	SW	SW1
XMFO 1/8	M15x0,75	G1/8	35	77	42	21	82	22	20
XMFO 1/4	M15x0,75	G1/4	35	77	43	21,5	82	22	20
XMFO 3/8	M25x1,5	G3/8	54	111	66	36	125	36	32
XMFO 1/2	M25x1,5	G1/2	54	111	66	36	125	36	32



Flow control valves in 316L stainless steel

Series XRFU and XRFO



- » Series XRFU: unidirectional flow control valves for cylinder speed regulation
- » Series XRFO: bidirectional flow control valves for air flow regulation and all compatible fluids with components materials

The unidirectional and bidirectional flow controllers are equipped with G1/8, G1/4, G3/8 and G1/2 ports. All models can be used in environments with aggressive fluids or gases.

GENERAL DATA

Construction	needle-type
Valve group	unidirectional and bidirectional controller
Materials	body in 316L stainless steel, FKM seals
Mounting	with screws in the holes of the valve body or panel mounted
Threads	G1/8, G1/4, G3/8, G1/2 1/8 NPT, 1/4 NPT, 3/8 NPT, 1/2 NPT
Installation	in any position
Operating temperature	-15°C +120°C
Operating pressure	- 0,5 ÷ 16 bar (unidirectional regulator) 0 ÷ 40 bar (bidirectional regulator)
Nominal pressure	6 bar
Nominal diameter	G1/8 = 6 - G1/4 = 6 - G3/8 = 9 - G1/2 = 10 - PT1/8 = 6 - PT1/4 = 6 - PT3/8 = 9 - PT1/2 = 10
Medium	filtered air without lubrication with unidirectional and bidirectional flow control valves all fluids compatible with the materials of the bidirectional flow control valves

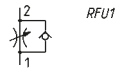
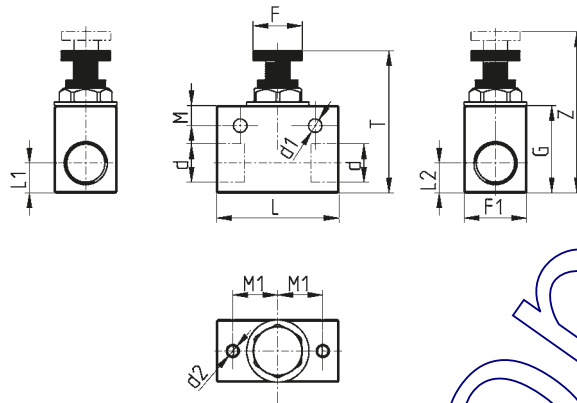
CODING EXAMPLE

X	RF	U	1/8	PT
----------	-----------	----------	------------	-----------

X	= INOX
RF	SERIES
U	FUNCTION: U = unidirectional O = bidirectional
1/8	PORTS: 1/8 1/4 3/8 1/2
PT	PORTS: = gas PT = NPT

Unidirectional flow control valves Series XRFU

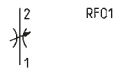
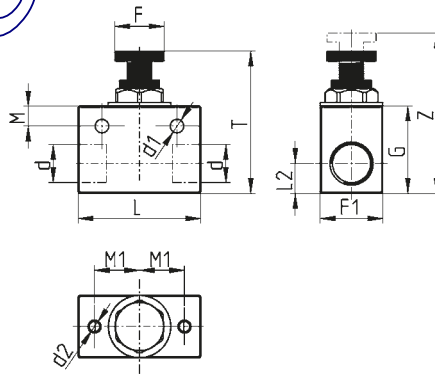
Manual regulation



DIMENSIONS													
Mod.	d	d1	d2	F	F1	G	L	L1	L2	M	M1	T	Z
XRFU 1/8	G1/8	5,4	M5	20	20	30	40	6,5	13,5	8	15	47	52
XRFU 1/4	G1/4	5,4	M5	20	20	30	40	8	12	8	15	49	54
XRFU 3/8	G3/8	5,4	M5	20	25	35	49	10,5	15,5	8	18	57	66
XRFU 1/2	G1/2	5,4	M5	20	25	35	49	12,5	13	8	18	57	66
XRFU 1/8PT	1/8NPT	5,4	M5	20	20	30	40	6,5	13,5	8	15	49	54
XRFU 1/4PT	1/4NPT	5,4	M5	20	20	30	40	8	12	8	15	49	54
XRFU 3/8PT	3/8NPT	5,4	M5	20	25	35	49	10,5	15,5	8	18	57	66
XRFU 1/2PT	1/2NPT	5,4	M5	20	25	35	49	12,5	13	8	18	57	66

Bidirectional flow control valves Series XRF0

Manual regulation



DIMENSIONS													
Mod.	d	d1	d2	F	F1	G	L	L1	L2	M	M1	T	Z
XRF0 1/8	G1/8	5,4	M5	20	20	30	40	6,5	13,5	8	15	47	52
XRF0 1/4	G1/4	5,4	M5	20	20	30	40	8	12	8	15	49	54
XRF0 3/8	G3/8	5,4	M5	20	25	35	49	10,5	15,5	8	18	57	66
XRF0 1/2	G1/2	5,4	M5	20	25	35	49	12,6	13	8	18	57	66
XRF0 1/8PT	1/8NPT	5,4	M5	20	20	30	40	6,5	13,5	8	15	49	54
XRF0 1/4PT	1/4NPT	5,4	M5	20	20	30	40	8	12	8	15	49	54
XRF0 3/8PT	3/8NPT	5,4	M5	20	25	35	49	10,5	15,5	8	18	57	66
XRF0 1/2PT	1/2NPT	5,4	M5	20	25	35	49	12,6	13	8	18	57	66

Quick exhaust valves in 316L stainless steel

Series XVSC



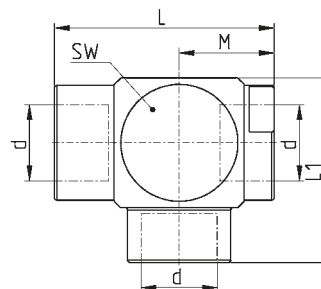
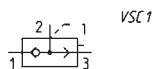
- » Suitable to rapidly discharge air contained in tanks, systems or cylinder chambers
- » Threaded version

Series XVSC quick exhaust valves are commonly used to increase the speed of cylinders or for rapid depressurisation of tanks containing compressed air.

GENERAL DATA

Valve group	automatic valves
Construction	poppet-type
Materials	316L stainless steel FKM seals 1/8 1/4 polyurethane seals 3/8 1/2
Mounting	in any position
Threads	G1/8, G1/4, G1/2, G3/8 1/8 NPT, 1/4 NPT, 3/8 NPT, 1/2 NPT
Operating temperature	1/8 1/4 GAS/NPT -10°C ÷ 120°C 3/8 1/2 GAS/NPT -20°C ÷ +80°C
Medium	filtered air without lubrication

Series XVSC quick exhaust valves



DIMENSIONS					
Mod.	d	M	L	L1	SW
XVSC 1/8	G1/8	16	37	32	22
XVSC 1/4	G1/4	16.5	37.5	31.5	22
XVSC 3/8	G3/8	19	44	37	26
XVSC 1/2	G1/2	31	54	45	32
XVSC 1/8PT	1/8NPT	16	37	32	22
XVSC 1/4PT	1/4NPT	16	37	32	22
XVSC 3/8PT	3/8NPT	19	44	37	26
XVSC 1/2PT	1/2NPT	31	54	45	32

Unidirectional valves in 316L stainless steel Series XVNR

SERIES XVNR UNIDIRECTIONAL VALVES



- » In-line mounting
- » Low operating pressures
- » Robust design
- » Wide range of chemicals compatibility and extended operating temperatures

Series XVNR unidirectional valves are suitable to be used in low pressure applications, in environments with aggressive fluids or gases.

GENERAL DATA

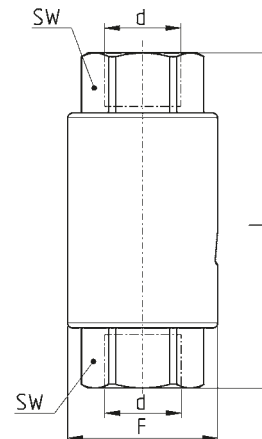
Valve group	automatic valves
Construction	poppet-type
Materials	body in 316L stainless steel spring in 316L stainless steel FKM seals
Mounting	in any position
Threads	G1/8, G1/4, G3/8, G1/2 1/8 NPT, 1/4 NPT, 3/8 NPT, 1/2 NPT
Operating temperature	-20 °C ÷ +180 °C
Operating pressure	0,5 bar to 40 bar
Cracking pressure	0,25 bar
Medium	filtered air, without lubrication compressed air and all fluids compatible with the unidirectional valves component materials

Series XVNR unidirectional valves



VNR1
2
1

DIMENSIONS				
Mod.	d	L	F	SW
XVNR 1/8	G1/8	50	22	17
XVNR 1/4	G1/4	50	22	17
XVNR 3/8	G3/8	67	30	22
XVNR 1/2	G1/2	71	30	24
XVNR 1/8PT	1/8NPT	50	22	17
XVNR 1/4PT	1/4NPT	54	22	17
XVNR 3/8PT	3/8NPT	67	30	22
XVNR 1/2PT	1/2NPT	77	30	24



Silencers in 316L stainless steel



Silencers are indispensable elements for eliminating or reducing the characteristic noise of compressed air during discharge into the atmosphere. They should always be placed on the outlets of 3/2-, 5/2- or 5/3-way valves. When carrying out maintenance, silencers should be degreased using white spirit or paraffin and compressed air blown through them in the opposite direction to the direction of operation.

Flow rate: is measured at an inlet pressure of 6 bar with exhaust in the atmosphere.
Noise level: is measured through a test using a phonometer. Placing the phonometer one meter away from the application and at the same height for ten seconds, gives an average reading of the noise generated.

GENERAL DATA

Construction	body with male thread
Materials	316L stainless steel
Thread	G1/8, G1/4, G3/8, G1/2, G3/4, G1 1/8NPT, 1/4NPT, 3/8NPT, 1/2NPT, 3/4NPT, 1NPT

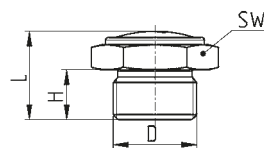
Silencers Mod. X2901



SIL1

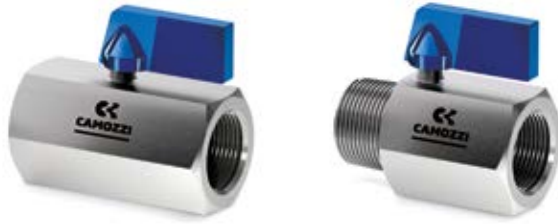


DIMENSIONS							
Mod.	D	H	L	SW	Max operating pressure (bar)	Flow rate (NL/min)	Noise db (A)
X2901 1/8	G1/8	8	15	14	10	700	76
X2901 1/4	G1/4	8	14	17	10	1000	78
X2901 3/8	G3/8	10	18	22	10	1500	76
X2901 1/2	G1/2	12	22	27	10	3400	86
X2901 3/4	G3/4	15	27	32	6	4100	87
X2901 1	G1	18	34	41	6	7600	88
X2901 1/8PT	1/8 NPT	7	14	14	10	700	76
X2901 1/4PT	1/4 NPT	11	17	17	10	1000	78
X2901 3/8PT	3/8 NPT	11	19	22	10	1500	76
X2901 1/2PT	1/2 NPT	15	25	27	10	3400	86
X2901 3/4PT	3/4 NPT	16	28	32	6	4100	87
X2901 1PT	1 NPT	19	35	41	6	7600	88



Mini ball valves in 316 stainless steel Series X29

SERIES X29 MINI BALL VALVES



- » Compact dimensions
- » Maximum flow capability
- » Easy-to-operate lever

These mini ball valves are used to open or close air or fluid flows in industrial applications with aggressive fluids or gases and where space is extremely limited.

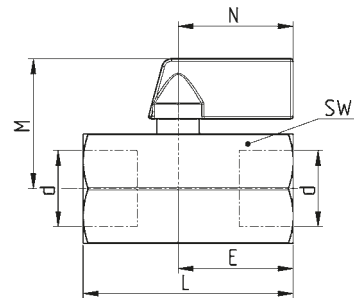
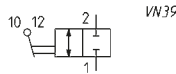
The miniaturised dimensions and light weight of Series X29 enable an easy installation at any point of the system, also thanks to the threaded connection.

GENERAL DATA

Function	2/2-way
Operation	90° lever rotation
Threads	G1/4, G3/8, G1/2, R1/4, R3/8, R1/2
Orifice diameter	from 7 mm to 9.2 mm
Operating pressure	0 ÷ 10 bar
Operating temperature	-15 °C ÷ 80 °C
Materials	valve body, rod, ball: 316 stainless steel; ball seals: PTFE; rod sealing ring: FKM; Lever: Aluminum
Medium	compressed air, inert gases, water, oil and all fluids compatible with these mini ball valves component materials

Mini ball valves Mod. X2943

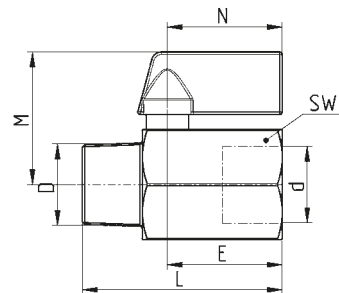
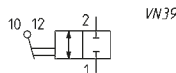
2/2 in-line, Female-Female BSPP Threads



DIMENSIONS							
Mod.	d	DN	E	L	M	N	SW
X2943 1/4	G1/4	7	23	42	26	23	22
X2943 3/8	G3/8	7	23	42	26	22,5	22
X2943 1/2	G1/2	9,8	23	46	28	23	25

Mini ball valves Mod. X2944

2/2 in-line, Male BSPT-Female BSPP Threads



DIMENSIONS								
Mod.	d	D	DN	E	L	M	N	SW
X2944 1/4-1/4	G1/4	R1/4	7	23	40	26,5	23	22
X2944 3/8-3/8	G3/8	R3/8	7	23	40	26,5	23	22
X2944 1/2-1/2	G1/2	R1/2	9,2	23	45,6	28,3	23	25

DISCOVER THE COMPLETE RANGE OF CAMOZZI AUTOMATION'S FITTINGS, TUBES AND ADAPTORS

Fitting Series:

Super-rapid fittings

- **Series 6000**
Brass super-rapid fittings for plastic tubes
- **Series 7000**
Super-rapid compact fittings in technopolymer
- **Series 7000 Fluidics**
Fittings in technopolymer for water cooling applications
- **Series 8000**
Nickel-plated dual seal super-rapid fittings
- **Series H8000**
Nickel-plated dual seal super-rapid fitting with release collet

Rapid fittings

- **Series 1000**
Brass rapid push-on fittings for plastic tubes

Universal fittings

- **Series 1000**
Brass universal nose fittings

Adaptors

- **Series S2000**
Brass adaptors Sprint®
- **Series 2000**
Brass adaptors

Quick-release couplings

- **Series 5000**
Quick-release couplings
- **Series 5000L, 5000LT**
Quick-release couplings for the conditioning of moulds for plastics

Tubes, spirals and accessories

- **Series T, MPL, PNZ**
- **Series OX1**
Fittings and adaptors for medical gas applications
- **Series 6000 OX1**
- **Series 2000 OX1**
- **Series VNR OX1**

Mini ball valves

- **Series 29**
Mini ball valves for pneumatics and industrial fluids



More Product Lines:



■ Series CFB stainless steel solenoid valves



■ Series 90 stainless steel cylinders



■ Series 94 and 95 stainless steel mini-cylinders

Contacts

Camozzi Automation S.p.A.

Società Unipersonale
Via Eritrea, 20/I
25126 Brescia
Italy
Tel. +39 030 37921
marketing@camozzi.com

Customer Service

Tel. +39 030 3792790
service@camozzi.com

Export Department

Tel. +39 030 3792253
sales@camozzi.com



Automation

