

# NEW Magnetic Gripper

Fast, Efficient Precise Control from Compact®

## Overview

The Compact® magnetic gripper is great for picking up ferromagnetic materials such as iron or steel in applications where other types of grippers and vacuum cups are currently being utilized. Our four new models with grip forces from 20 to 130 lbs. are now available. The new magnetic grippers from Compact® provide safe operation since the gripper will continue to hold the workpiece even with the loss of pneumatic pressure.

Ideal for pick-and-place type systems or applications such as robotic end-of-arm tooling, conveyors, feeders, separators or where any precise positioning of goods or materials is required in the automation process.

Experience the Compact Automation Difference!

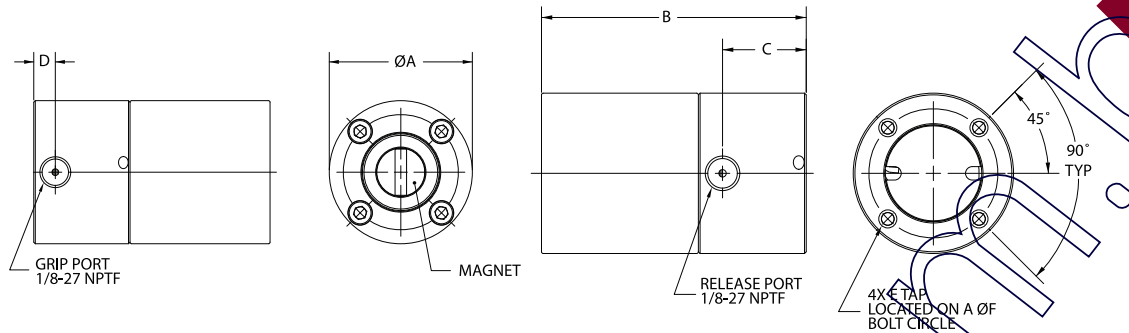
## Features and Benefits

- Improved performance over typical angular and parallel grippers with fewer moving parts, no fingers to design or manufacture, fast grip speed and minimal maintenance.
- Optimal for ferromagnetic workpieces on which a clamping grip is difficult and works for gripping complex shapes, flat sheets and perforated sheets.
- Fewer tool changes required because the same magnetic gripper can pick up various shapes.
- Good for use in place of vacuum cups for manipulating ferromagnetic items by eliminating the need for vacuum generation.
- Excellent for end-of-arm tooling with the very small size-to-weight ratio.
- No electricity requirement
- Field repairable

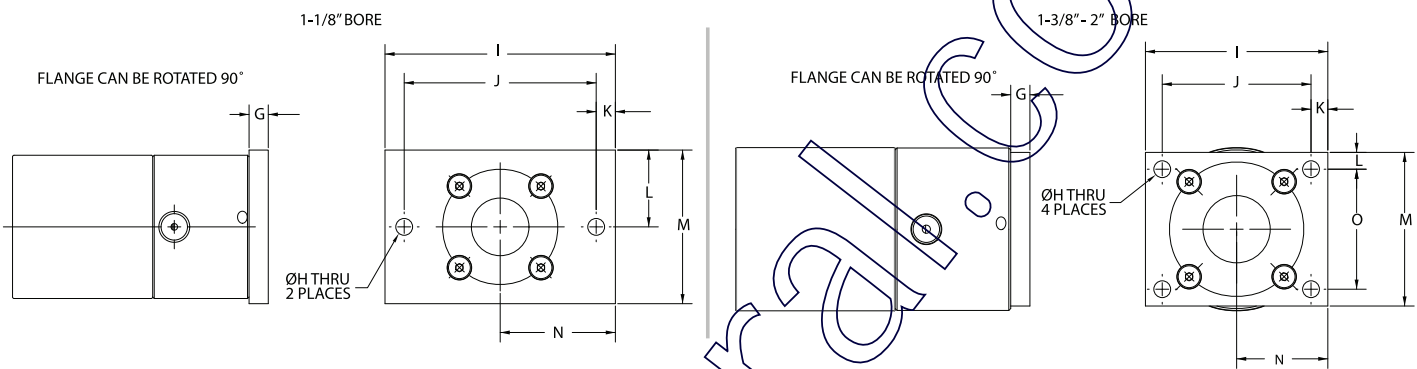


# NEW Magnetic Gripper

## Technical Specifications



### FLANGE DETAIL



Part Number	A (in)	B (in)	C (in)	D (in)	E	F (in)	Pull Force* (lbs)	Unit Weight lbs
RG11-M020	1.88	3.08	0.97	0.28	#10-24	1.50	20	0.75
RG13-M030	2.13	3.58	1.09	0.41	#10-24	1.75	30	1.00
RG16-M070	2.38	4.21	1.22	0.41	#10-24	2.00	70	1.50
RG20-M130	3.00	4.84	1.44	0.44	1/4-20	2.50	130	2.75

Part Number	G (in)	H (in)	I (in)	J (in)	K (in)	L (in)	M (in)	N (in)	O (in)
RG11-M020-RF	0.25	0.22	3.00	2.50	0.25	1.00	2.00	1.50	-
RG13-M030-RF	0.25	0.22	2.38	1.94	0.22	0.22	2.00	1.19	1.56
RG16-M070-RF	0.25	0.22	2.50	2.00	0.25	0.25	2.50	1.25	2.00
RG20-M130-RF	0.38	0.28	3.00	2.50	0.25	0.25	3.00	1.50	2.50

\* Pull Force is based on smooth clean surfaces, contact point is centered over the center of gravity of the item being picked up and the item is no larger than 6 times the diameter of gripper. Material type and material thickness may affect the pull force.

Multiple grippers should be used for large items.

60 psi required to release magnet grip.

**Warning** - The magnetic gripper contains a permanent magnet. Its magnetic field can present a hazard (ex: persons with a pacemaker) or cause damage to electronic equipment.