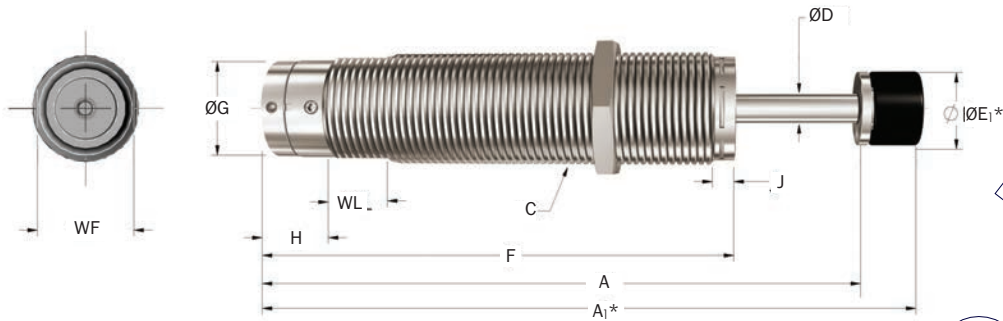


CRS Series Stainless Steel Shock Absorbers



ENIDINE

CRS Series Technical Data

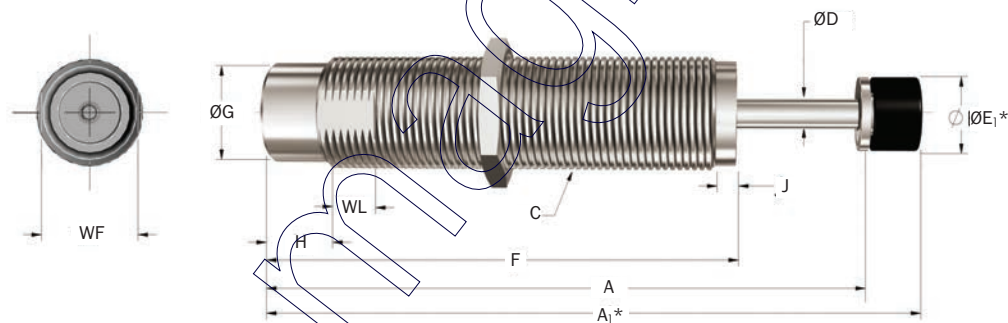


*Note: A₁ and E₁ apply to button models and urethane striker cap accessory. One Hex Jam Nut included with every shock absorber.

Small Bore Adjustable Shock Absorbers

Catalog No./Model	(S) Stroke mm	Optimal Velocity Range m/s	(E _T) Max. Nm/cycle	(E _T C) Max. Nm/h	(F _p) Max. Reaction N	Nominal Coil Spring Force		(F _D) Max. Propelling N	Model Weight mass g	
						Extended N	Compressed N			
CRS OEM .25M (B)	10,0	0,3-3,30	7,0	22 000	890	3,5	7,5	350	56	
CRS LROEM .25M (B)		0,08-1,30								440
CRS OEM .5M (B)	12,7	0,3-4,50	31,0	35 200	3 500	5,8	12,4	670	141	
CRS LROEM .5M (B)		0,08-1,30								1 120
CRS OEM 1.0M (B)	25,0	0,3-3,30	81,0	77 000	4 400	13,0	27,0	1 330	285	
CRS OEM 1.0MF (B)		0,3-3,30								2 016
CRS LROEM 1.0M (B)		0,08-1,30								
CRS LROEM 1.0MF (B)		0,08-1,30								

Catalog No./Model	A mm	A ₁ mm	C mm	D mm	E ₁ mm	F mm	G mm	H mm	J mm	WF mm	WL mm
CRS (LR)OEM .25M (B)	81,8	91,2	M14 x 1,5	3,3	11,2	71,4	10,9	14,2	—	12,0	12,7
CRS (LR)OEM .5M (B)	98,6	110,5	M20 x 1,5	4,8	12,7	84,1	16,0	17,0	—	18,0	12,7
CRS (LR)OEM 1.0M (B)	130,0	142,7	M25 x 1,5	6,4	15,7	104,0	22,0	14,0	4,6	23,0	12,7
CRS (LR)OEM 1.0MF (B)			M27 x 3,0								



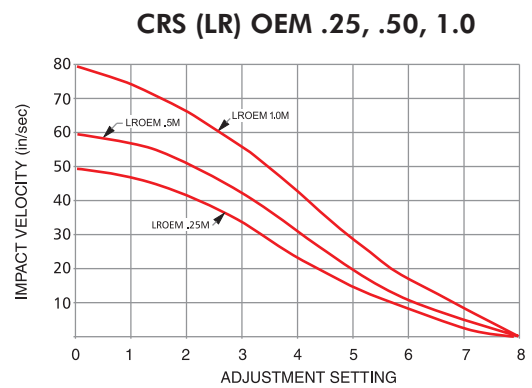
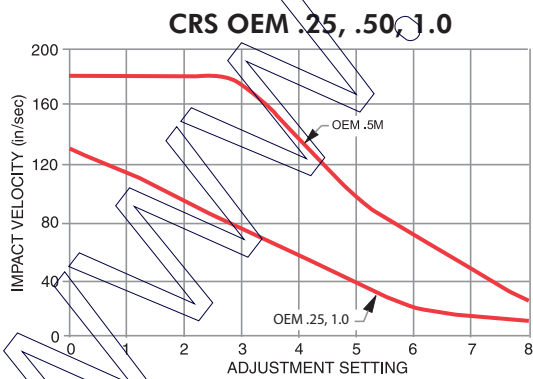
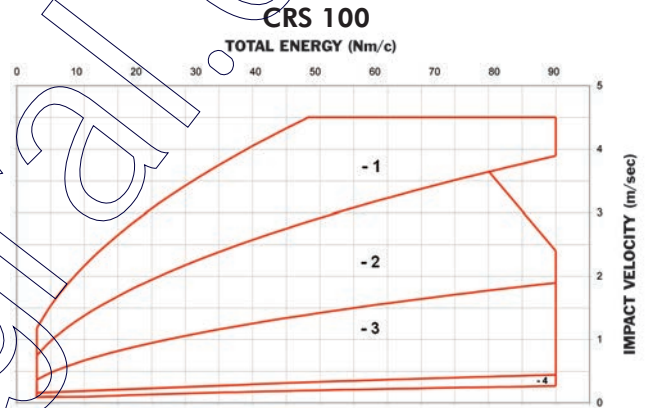
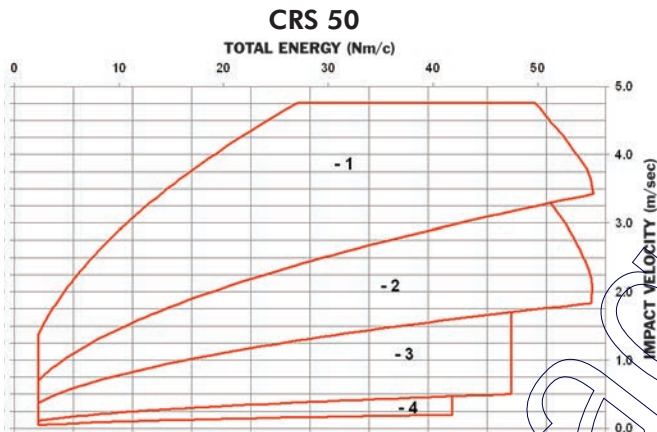
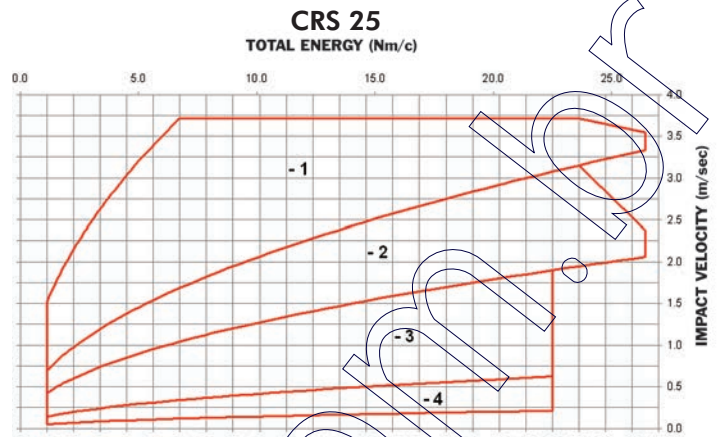
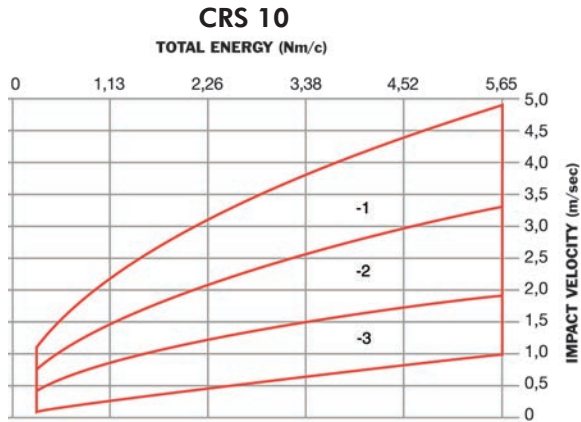
*Note: A₁ and E₁ apply to button models and urethane striker cap accessory. One Hex Jam Nut included with every shock absorber.

Small Bore Non-Adjustable Shock Absorbers

Catalog No./Model	(S) Stroke mm	(E _T) Max. Nm/cycle	(E _T E) Emergency Max. Nm/cycle	(E _T C) Max. Nm/h	(F _p) Max. Reaction N	Nominal Coil Spring Force		(F _D) Max. Propelling N	Model Weight mass g
						Extended N	Compressed N		
CRS 10 (B)	7,0	7,0	—	13 640	1 600	2,2	4,5	350	28
CRS 25 (B)	16,0	30,0	56,0	44 000	2 800	4,5	11,0	890	68
CRS 50 (B)	22,0	62,0	110,0	59 070	3 750	8,9	30,0	1 600	136
CRS 100 (B)	25,0	105,0	250,0	77 000	5 500	13,0	27,0	2 200	297

Catalog No./Model	Damping Constant	A mm	A ₁ mm	C mm	D mm	E ₁ mm	F mm	G mm	H mm	J mm	WF mm	WL mm
CRS 10 MF (B)	-1,-2,-3	54,0	64,0	M10 x 1,0	3,0	8,6	46,5	8,6	4,6	3,3	—	—
CRS 25 MF (B)	-1,-2,-3,-4	97,5	107,2	M14 x 1,0	4,0	11,2	81,3	10,9	7,6	1,0	12,0	12,7
CRS 25 MC (B)	-1,-2,-3,-4			M14 x 1,5								
CRS 50 MC (B)	-1,-2,-3,-4	118,4	130,3	M20 x 1,5	4,8	12,7	95,5	16,3	7,6	1,0	18,0	12,7
CRS 100 MF (B)	-1,-2,-3,-4	128,8	141,5	M25 x 1,5	6,4	15,7	102,6	22,0	12,7	4,6	23,0	12,7
CRS 100 MC (B)	-1,-2,-3,-4			M27 x 3,0								

CRS Series Technical Data



www.magral.com.br

Enidine
7 Centre Drive
Orchard Park, New York 14127 • USA
Phone: 716-662-1900
Fax: 716-667-1909
Email: industrialsales@enidine.com
www.enidine.com

An ITT Company

IND1580R1 8/22