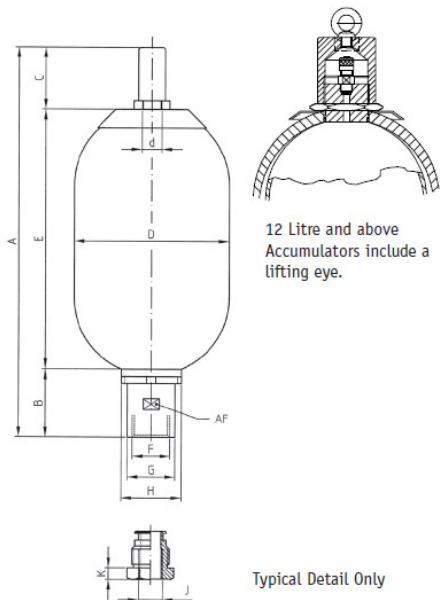


# High Pressure Bladder Accumulator

1 to 54 Litres, 690 / 760 bar



## Specification

### Shell

Chrome Molybdenum Steel designed to CE/ ASME.

### Capacities

1,3 and 5 litres - Working pressure up to 690 bar

12 - 54 litres - Working pressure up to 760 bar

### Material Certification

Material certificates to BS EN 10204 3.1

### Design Temperature

-20°C to + 100°C

### Fluid Port Connection

- 1, 3 and 5 litres - 1" BSPF (adapted to 1/2" NPT F as standard)
- 12 - 54 litres - 2" BSP (adapted to 1/2" NPT F as standard)
- Other customer specific connections are available on request (e.g. BSPF, Autoclave)

### Gas Port

1/4" BSP H.P. gas valve stainless steel (others available on request).

### Gas Charging

690/760 bar via 1/4" BSP male connection

### Finish

One coat primer paint as standard. Special paints available.

Nominal Size Litres	Gas Volume (Litre)	Max Working Pressure (bar)	Weight dry Nominal (kg)	Q max. (l/min)	A	B	C	ø D	ø d	E	F	ø G	ø H	AF	J*	K
					1 Litres	1,1	690	9	240	376	68	69	122	22	239	G 1"
3 Litres	2,4	690	15	240	551	68	69	122	22	414	G 1"	48	68	45	1/2" NPT F	10
5 Litres	5	690	29	450	900	68	69	122	22	763	G 1"	48	68	45	1/2" NPT F	10
12 Litres	11	690/760	97	900	682	84	150	261	50	527	G 2"	82	110	77	1/2" NPT F	13
20 Litres	16,5	690/760	134	900	892	84	150	261	50	737	G 2"	82	110	77	1/2" NPT F	13
37 Litres	33,4	690/760	227	900	1417	84	150	261	50	1262	G 2"	82	110	77	1/2" NPT F	13
54 Litres	48	690/760	318	900	1932	84	150	261	50	1777	G 2"	82	110	77	1/2" NPT F	13

\* Other connections available

The information in this datasheet is subject to change without prior notice.

Olaer Fawcett Christie Ltd. | Glendale Avenue | Sandycroft Industrial Estate | Sandycroft | Deeside | Flintshire | CH5 20P | UK | Tel: +44 (0)1244 535515

www.olaerfawcettchristie.co.uk

High Pressure Bladder Accumulator\_Version2\_29042010

- A Magral se reserva o direito de efetuar alterações sem aviso prévio.
- **Dúvidas ou esclarecimentos, favor contatar nosso depto técnico.**

Distribuidor autorizado para todo o Brasil



**MAGRAL**<sup>®</sup>  
HIDRÁULICA E PNEUMÁTICA  
www.magral.com.br - 11 2021-7202